

CHIPINVENTOR SEMICONDUCTORES LTDA

Sheet: /
File: devboardv2.2.kicad_sch

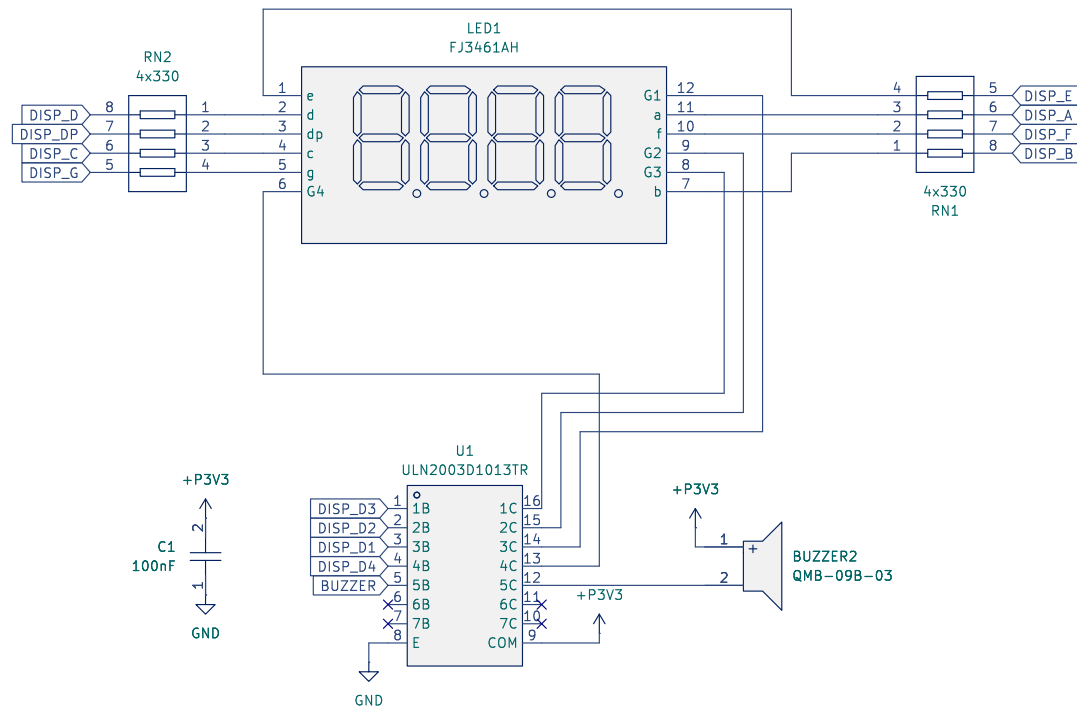
Title: Dev Chip Board v2.2

Size: A4 | Date: 2025-01-30

KiCad E.D.A. 9.0.1

Rev: 1.0

Id: 1/14



CHIPINVENTOR SEMICONDUTORES LTDA

Sheet: /display/
File: display.kicad_sch

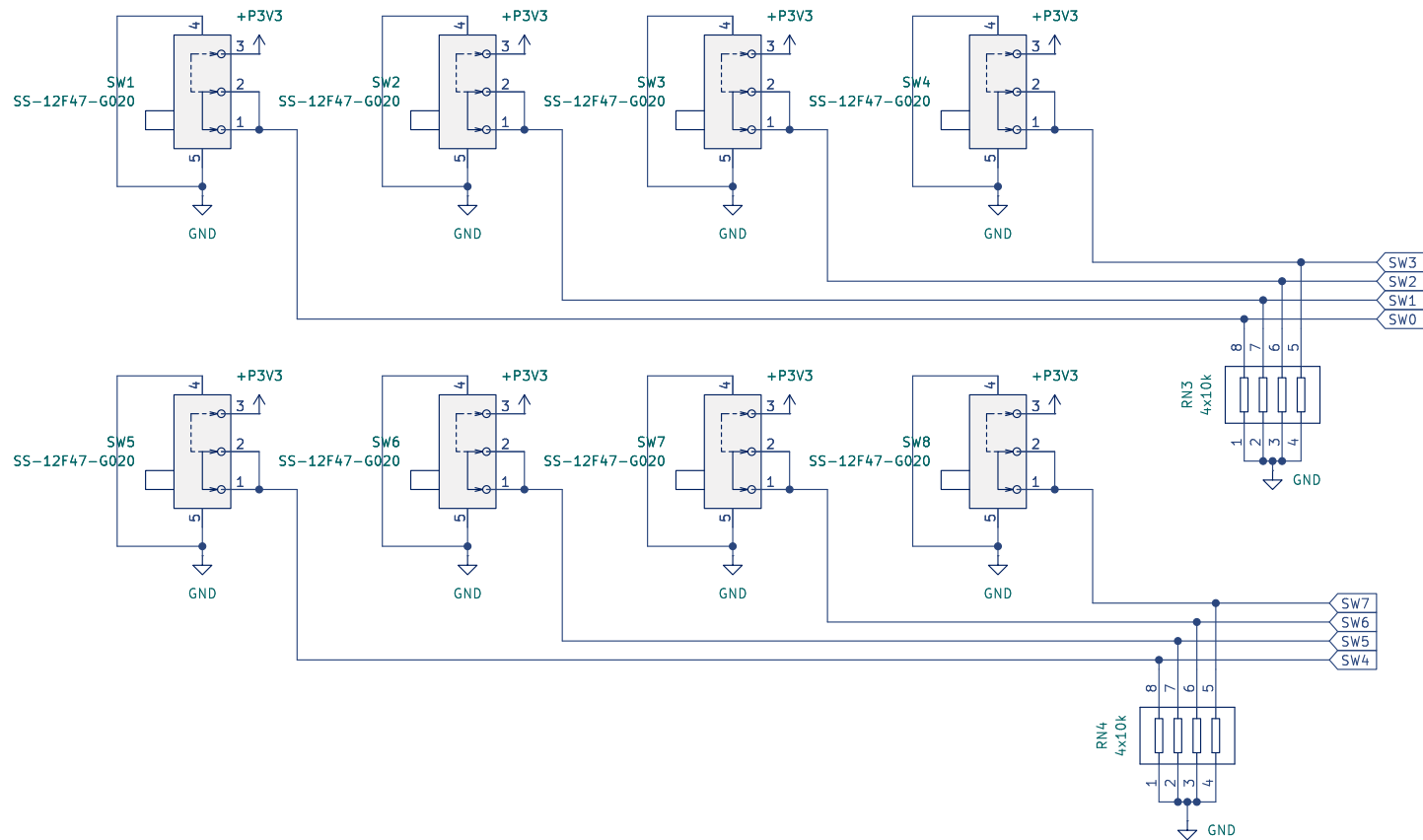
Title: Dev Chip Board v2.2

Size: A4 Date: 2025-01-30

KiCad E.D.A. 9.0.1

Rev: 1.0

Id: 2/14



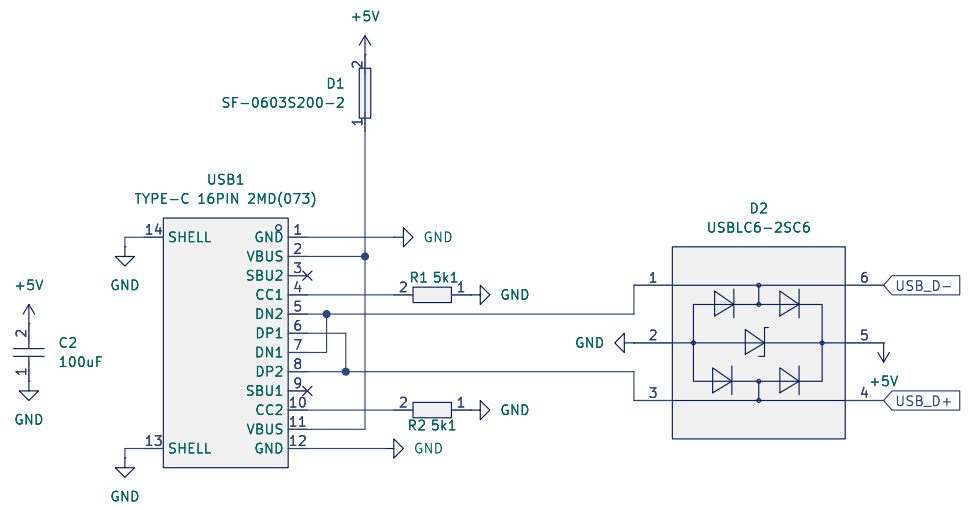
CHIPINVENTOR SEMICONDUTORES LTDA

Sheet: /switch/
File: switch.kicad_sch

Title: Dev Chip Board v2.2

Size: A4	Date: 2025-01-30
KiCad E.D.A. 9.0.1	Id: 3/14

Rev: 1.0
Id: 3/14



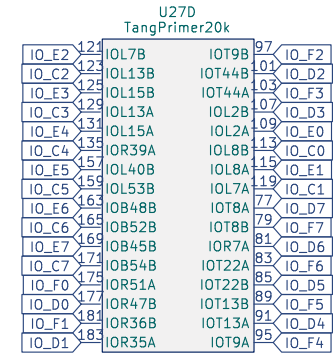
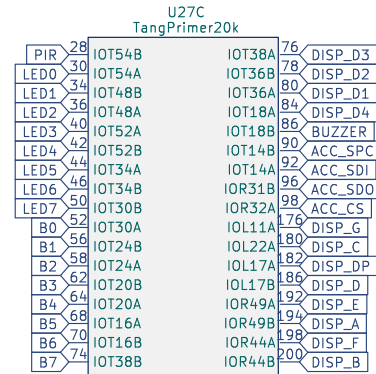
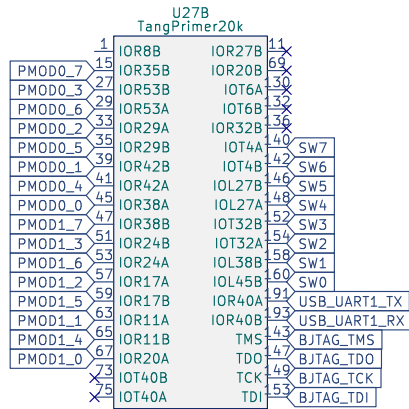
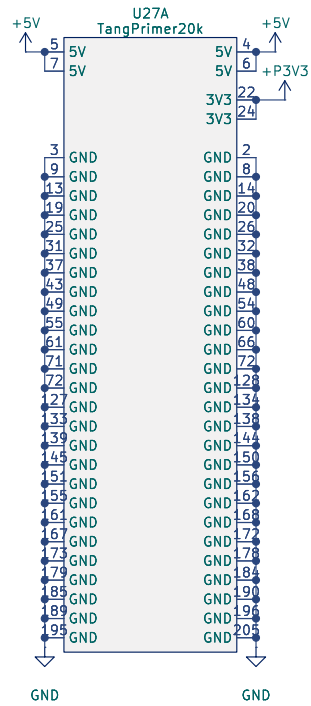
CHIPINVENTOR SEMICONDUTORES LTDA

Sheet: /USB/
File: usb.kicad_sch

Title: Dev Chip Board v2.2

Size: A4 | Date: 2025-01-30
KiCad E.D.A. 9.0.1

Rev: 1.0
Id: 4/14



CHIPINVENTOR SEMICONDUTORES LTDA

Sheet: /tangprimer20k/
File: tangprimer20k.kicad_sch

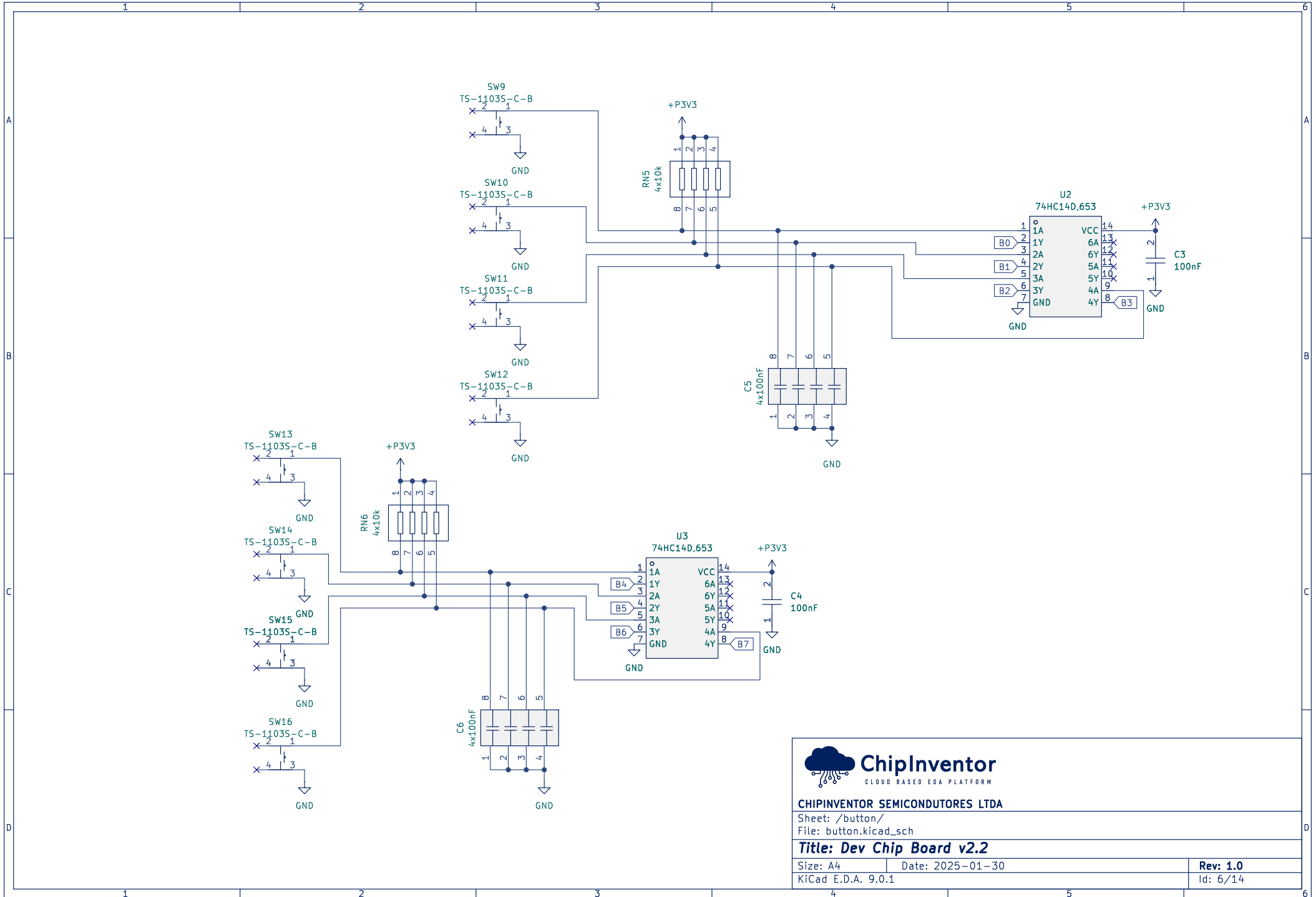
Title: Dev Chip Board v2.2

Size: A4 Date: 2025-01-30

KiCad E.D.A. 9.0.1

Rev: 1.0

Id: 5/14



CHIPINVENTOR SEMICONDUTORES LTDA

Sheet: /button/
File: button.kicad_sch

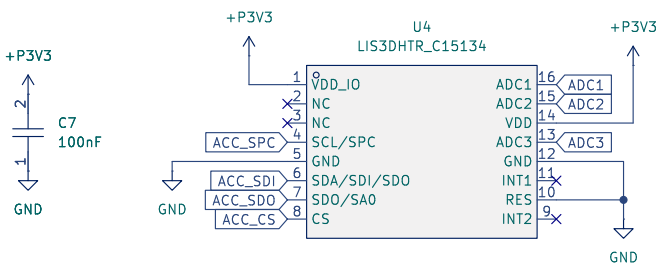
Title: Dev Chip Board v2.2

Size: A4 Date: 2025-01-30

KiCad E.D.A. 9.0.1

Rev: 1.0

Id: 6/14



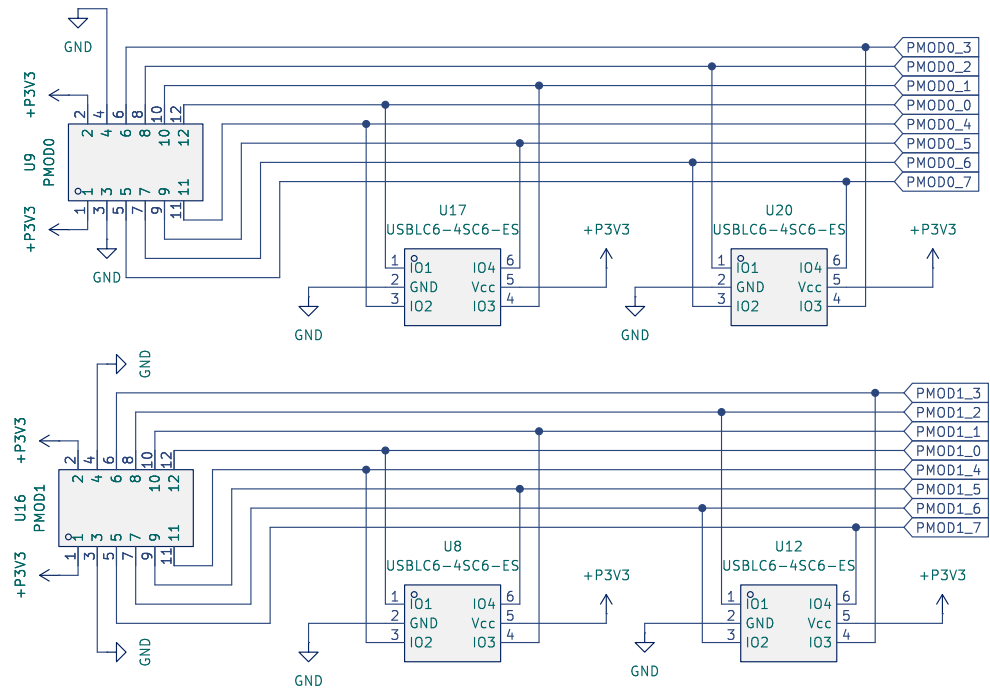
ChipInventor
CLOUD BASED EDA PLATFORM

CHIPINVENTOR SEMICONDUCTORES LTDA

Sheet: /accelerometer/
File: accelerometer.kicad_sch

Title: Dev Chip Board v2.2

Size: A4	Date: 2025-01-30	Rev: 1.0
KiCad E.D.A. 9.0.1		Id: 7/14



CHIPINVENTOR SEMICONDUTORES LTDA

Sheet: /pmod/
File: pmod.kicad_sch

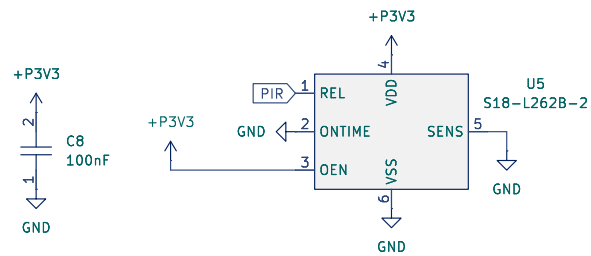
Title: Dev Chip Board v2.2

Size: A4 Date: 2025-01-30

KiCad E.D.A. 9.0.1

Rev: 1.0

Id: 8/14



CHIPINVENTOR SEMICONDUCTORES LTDA

Sheet: /pir/
File: pir.kicad_sch

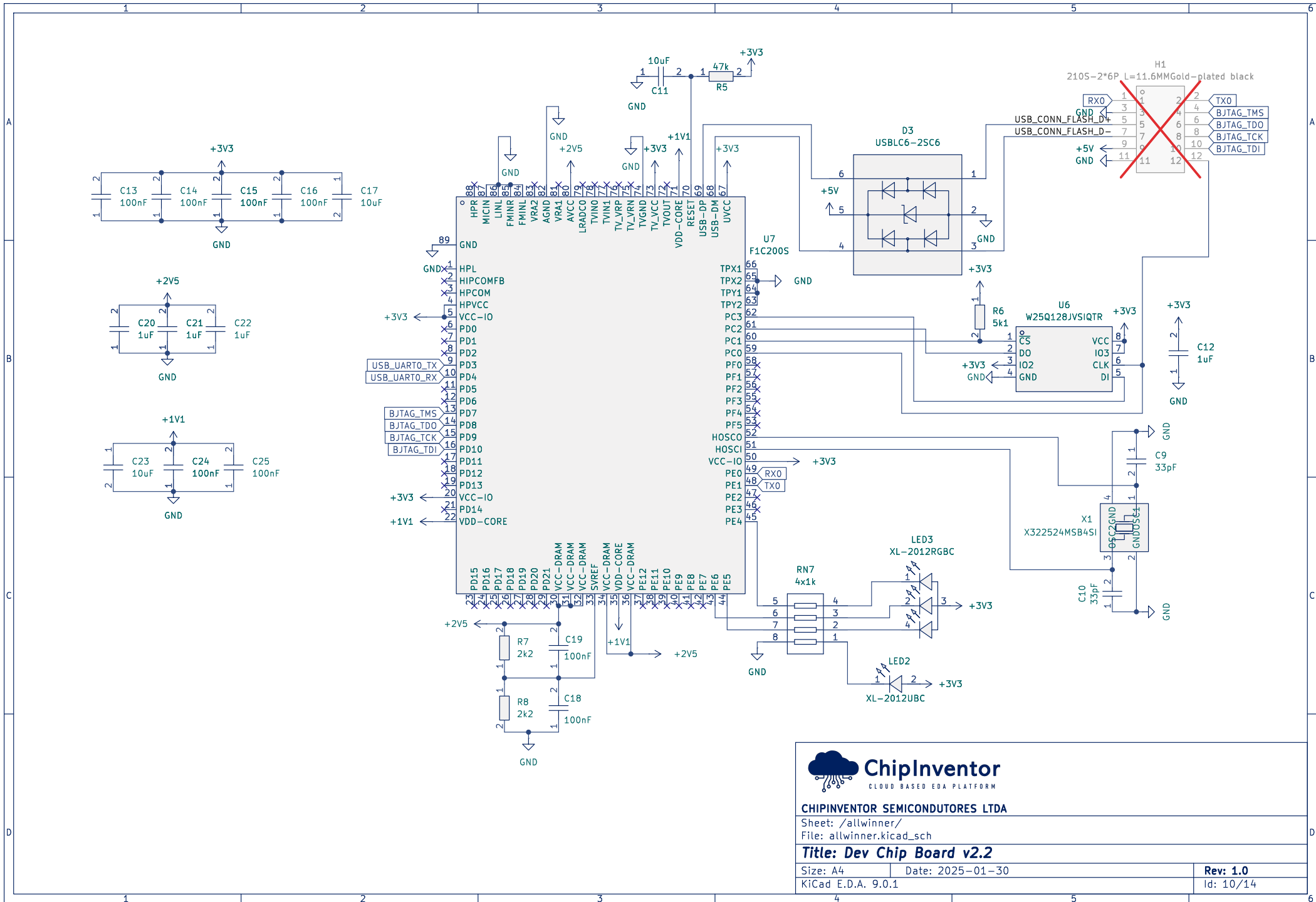
Title: Dev Chip Board v2.2

Size: A4 | Date: 2025-01-30

KiCad E.D.A. 9.0.1

Rev: 1.0

Id: 9/14



CHIPINVENTOR SEMICONDUTORES LTDA

Sheet: /allwinner/
File: allwinner.kicad_sch

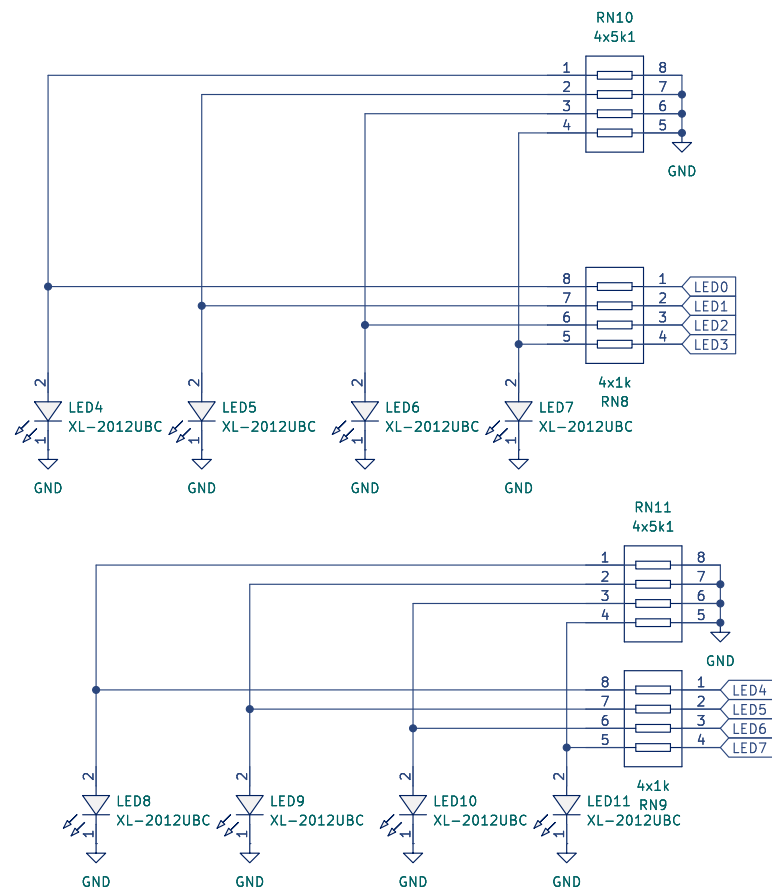
Title: Dev Chip Board v2.2

Size: A4 Date: 2025-01-30

KiCad E.D.A. 9.0.1

Rev: 1.0

Id: 10/14



CHIPINVENTOR SEMICONDUTORES LTDA

Sheet: /leds/
File: leds.kicad_sch

Title: Dev Chip Board v2.2

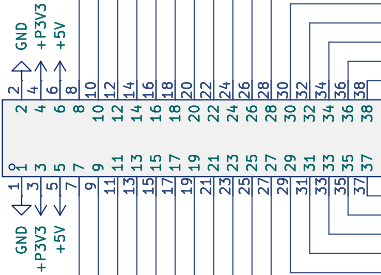
Size: A4 Date: 2025-01-30

KiCad E.D.A. 9.0.1

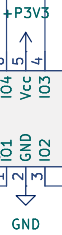
Rev: 1.0

Id: 11/14

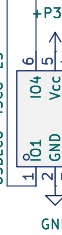
U13
PZ254-2-19-Z-2.5-G1



U22
USBLC6-4SC6-ES



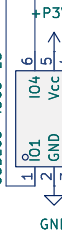
U19
USBLC6-4SC6-ES



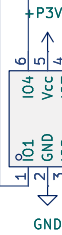
U15
USBLC6-4SC6-ES



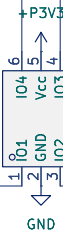
U11
USBLC6-4SC6-ES



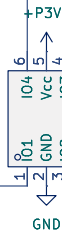
U21
USBLC6-4SC6-ES



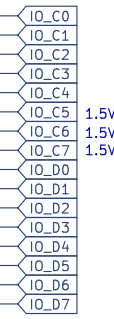
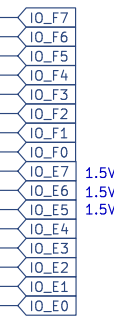
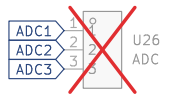
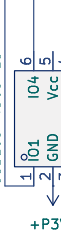
U18
USBLC6-4SC6-ES




U14
USBLC6-4SC6-ES



U10
USBLC6-4SC6-ES





ChipInventor

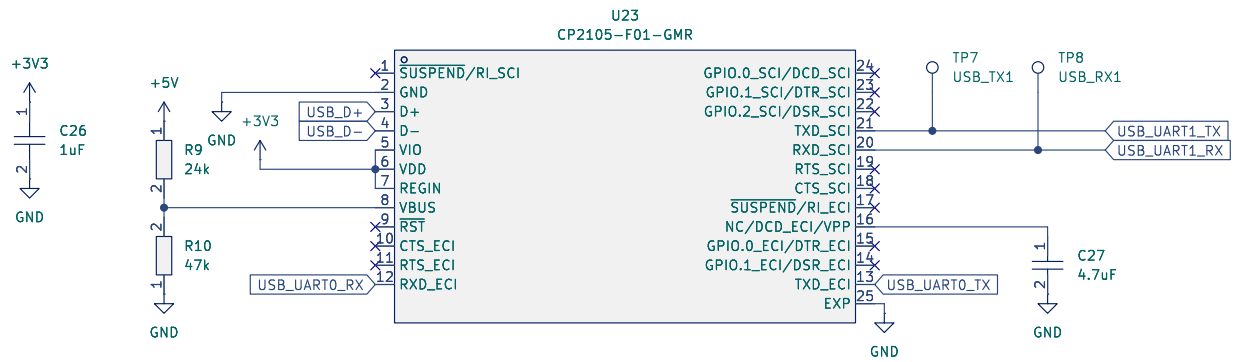
CLOUD BASED EDA PLATFORM

CHIPINVENTOR SEMICONDUTORES LTDA

Sheet: /pins/
File: pins.kicad_sch

Title: Dev Chip Board v2.2

Size: A4	Date: 2025-01-30
KiCad E.D.A. 9.0.1	Rev: 1.0 Id: 12/14



CHIPINVENTOR SEMICONDUCTORES LTDA

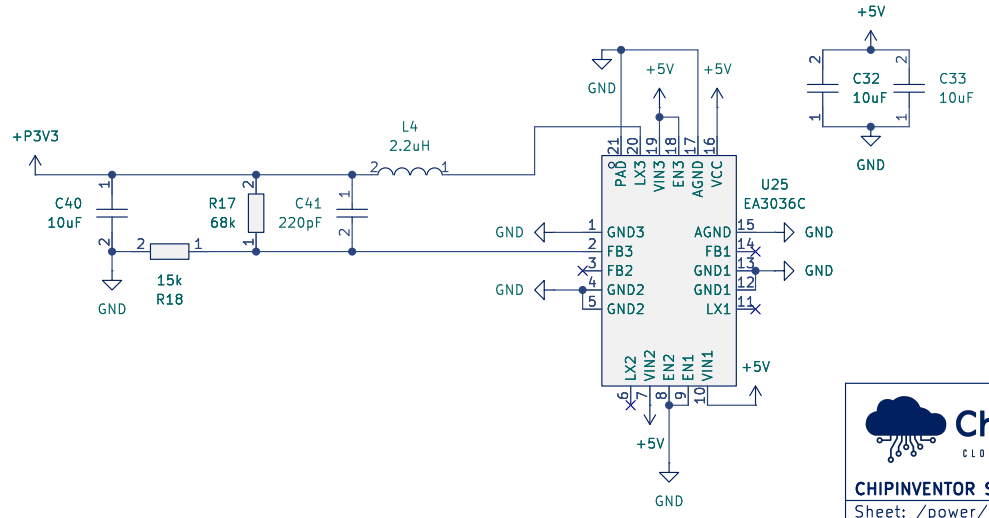
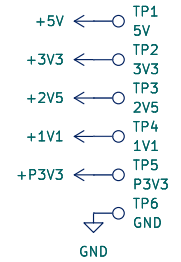
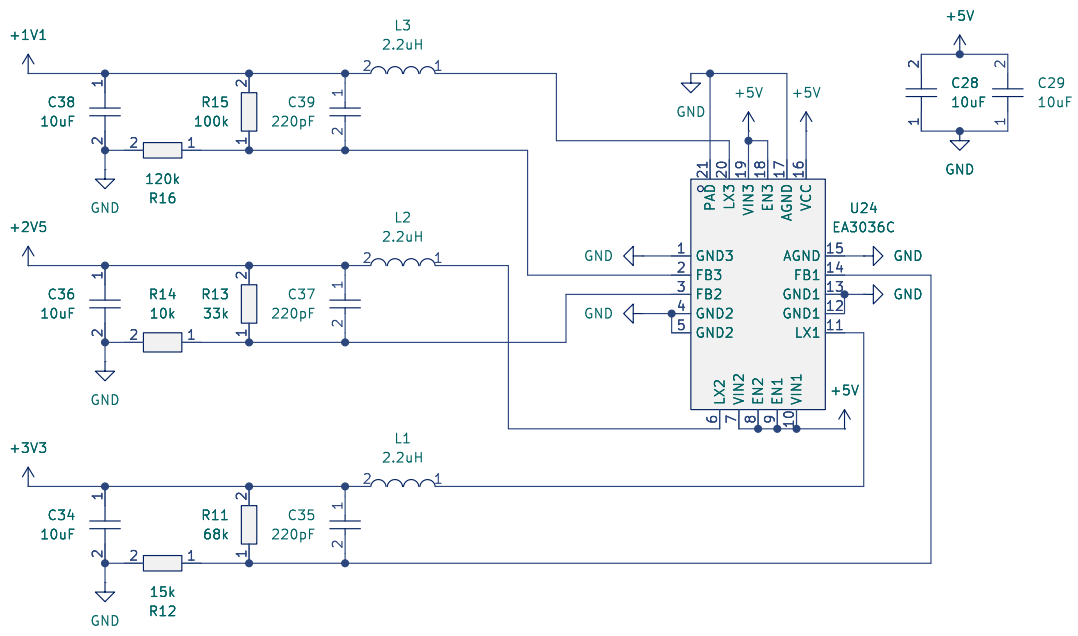
Sheet: /serial/
File: serial.kicad_sch

Title: Dev Chip Board v2.2

Size: A4 Date: 2025-01-30

KiCad E.D.A. 9.0.1

Rev: 1.0
Id: 13/14



CHIPINVENTOR SEMICONDUTORES LTDA

Sheet: /power/
File: power.kicad_sch

Title: Dev Chip Board v2.2

Size: A4 Date: 2025-01-30
KiCad E.D.A. 9.0.1

Rev: 1.0
Id: 14/14